

Permit No. 1162

\$25.00 Fee

# APPLICATION FOR BUILDING OR MOVING PERMIT

City of Leeds, North Dakota

Date Application Made 5/7/23  
Name of Owner Leeds Park District Phone Number 763 486 5493  
Street Address of Project Location PO Box 55 - Leeds Baseball Field  
Legal Description of Project Location \_\_\_\_\_  
General Contractor (if applies) Concrete - Terpening construction / Colton Foerderer / Bismarck  
Address maddock  
Permit For: New Construction  Or Moving Building \_\_\_\_\_  
Building to be Moved From \_\_\_\_\_  
Will Curb Be Cut? Yes \_\_\_\_\_ No  Will Street Be Excavated? Yes \_\_\_\_\_ No

\*\*\*Please attach drawing or map of structure or building project indicating property lines.

Type of Construction Baseball dugout  
1st Floor \_\_\_\_\_ Outside Dimensions \_\_\_\_\_  
2nd Floor \_\_\_\_\_ Outside Dimensions \_\_\_\_\_  
Porches \_\_\_\_\_ Outside Dimensions \_\_\_\_\_  
Basement \_\_\_\_\_ Outside Dimensions \_\_\_\_\_  
Basement \_\_\_\_\_ % finished  
Garage: Attached? Yes \_\_\_\_\_ No \_\_\_\_\_ Outside Dim. \_\_\_\_\_  
Roof Type 1/2" slope # Fireplace \_\_\_\_\_  
Estimated Cost of Construction (exclusive of land) \$ 22,000 Estimate

### BUILT-IN FEATURES

Garbage Disposal \_\_\_\_\_ Stove \_\_\_\_\_ Other Features NONE  
Dishwasher \_\_\_\_\_ Exhaust Fan \_\_\_\_\_  
Refrigerator \_\_\_\_\_ Exhaust Hood \_\_\_\_\_  
Freezer \_\_\_\_\_ Bath Vanity \_\_\_\_\_

Comments: \_\_\_\_\_

Rejected \_\_\_\_\_  
Mayor

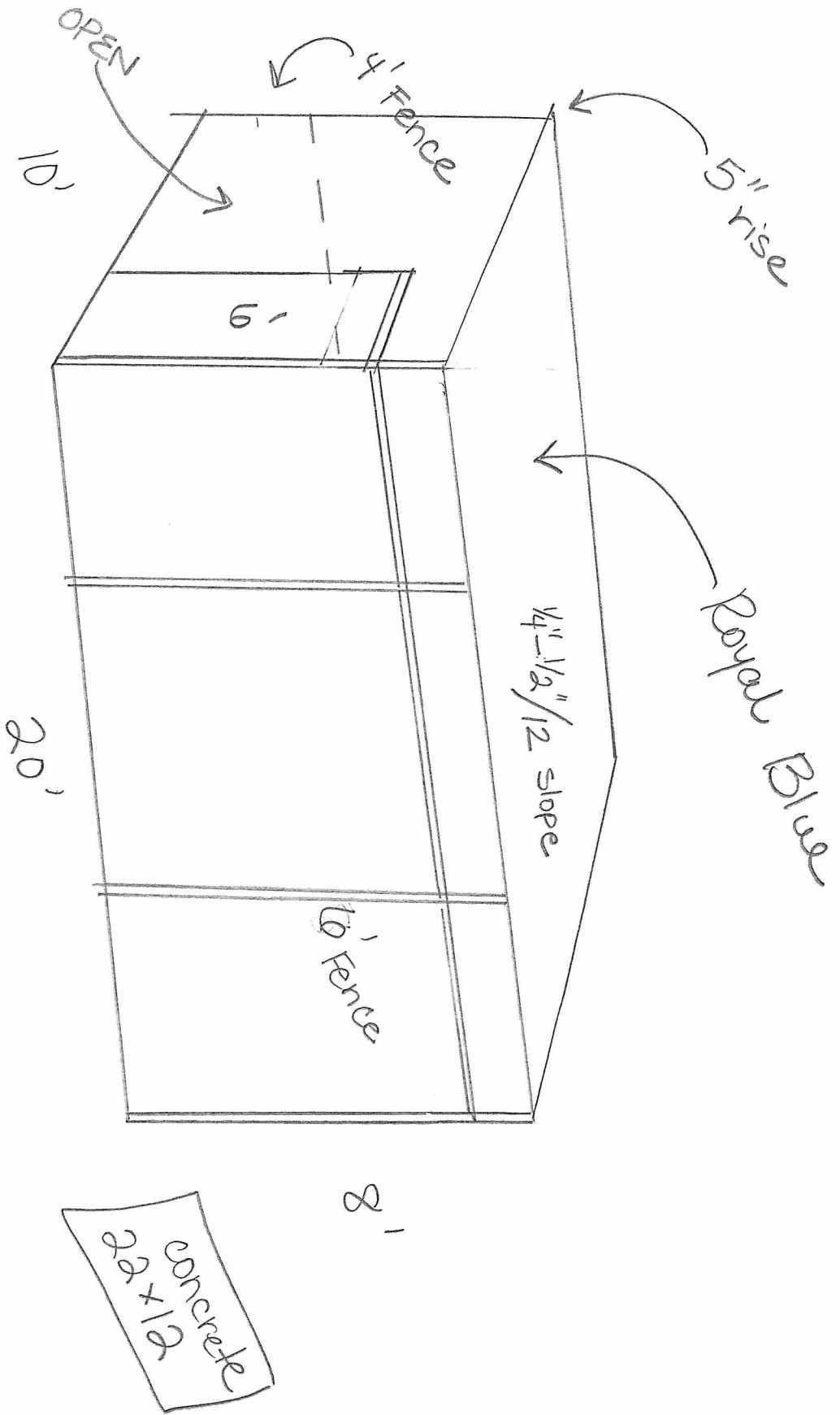
Approved \_\_\_\_\_  
Mayor

Attest \_\_\_\_\_  
Auditor

Date Approved or Rejected \_\_\_\_\_

This permit is regulated by ordinance of the City. Any and all permits may be revoked for cause by action of the City Council.





Leeds Baseball dugouts - NOT Final construction!

